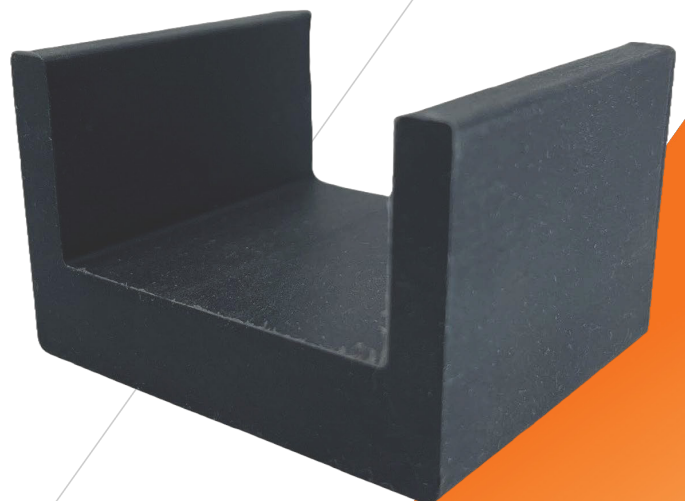


Pro  Silence
by **DREAMSCREEN**

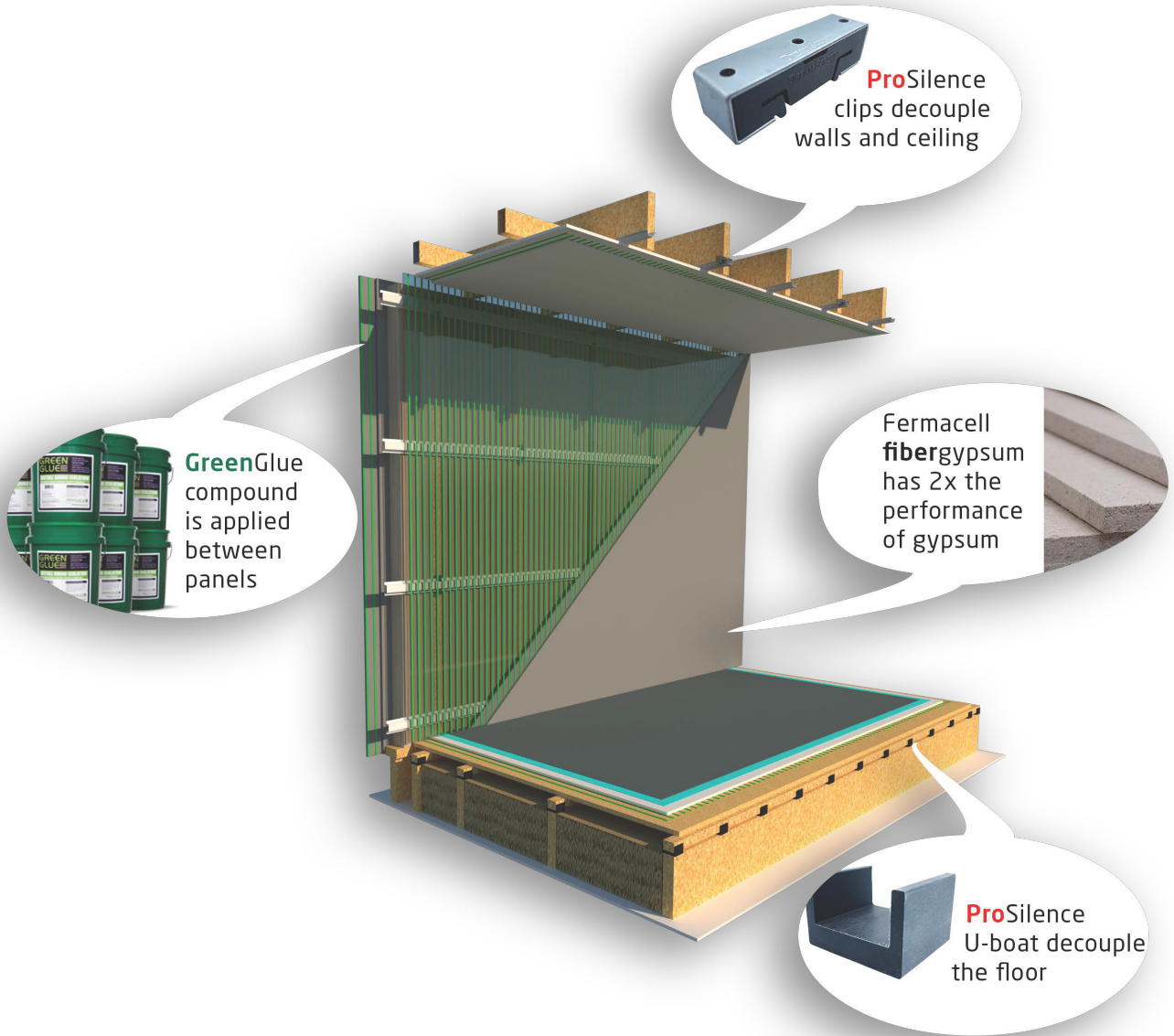
Soundproof like
the **PRO's**

Clips & U-boats

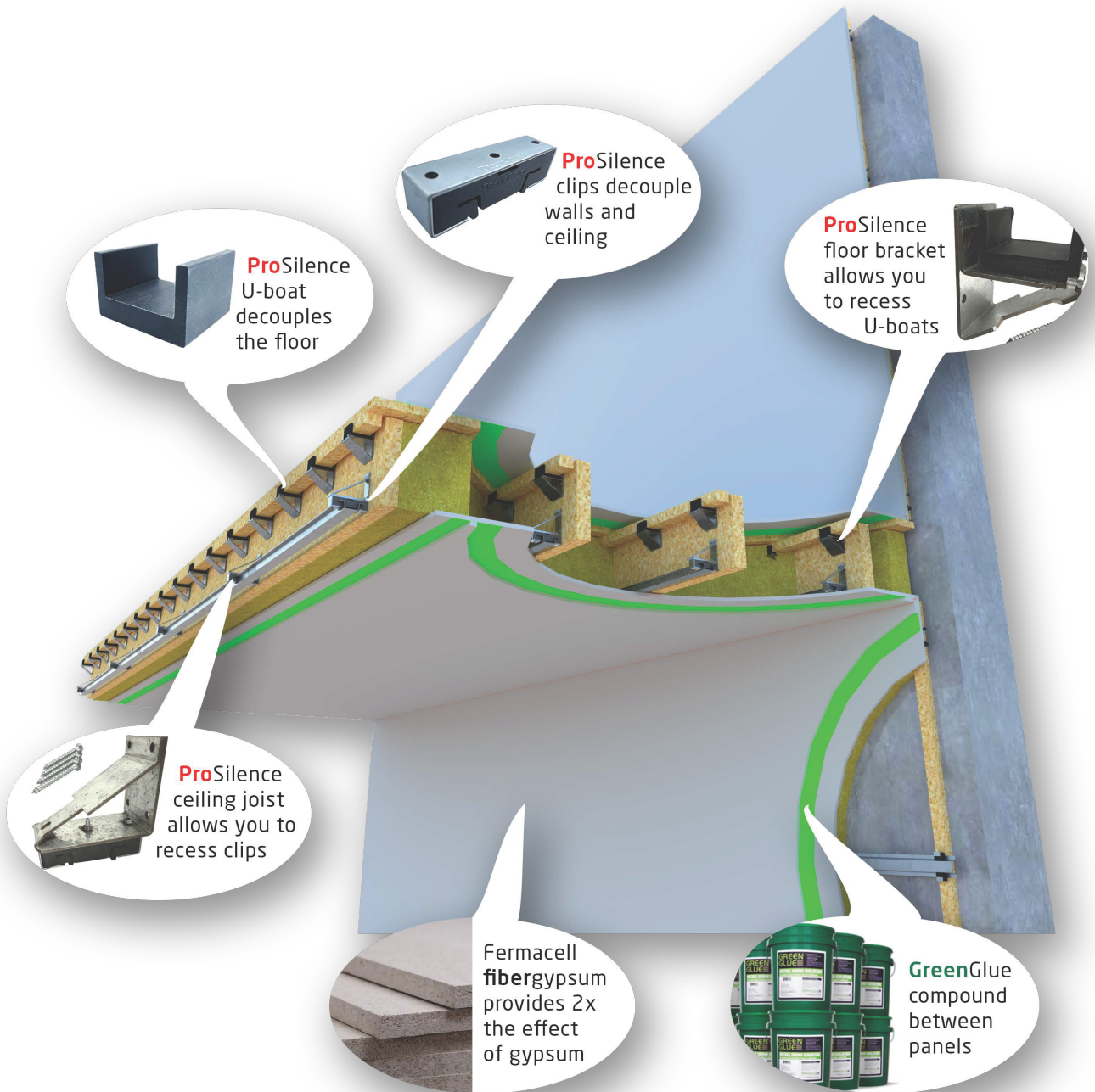
Noise reduction
decouplers



BASIC INSTALLATION OVERVIEW



COMPLEX INSTALLATION OVERVIEW



PROSILENCE CLIPS

Noise reduction clips

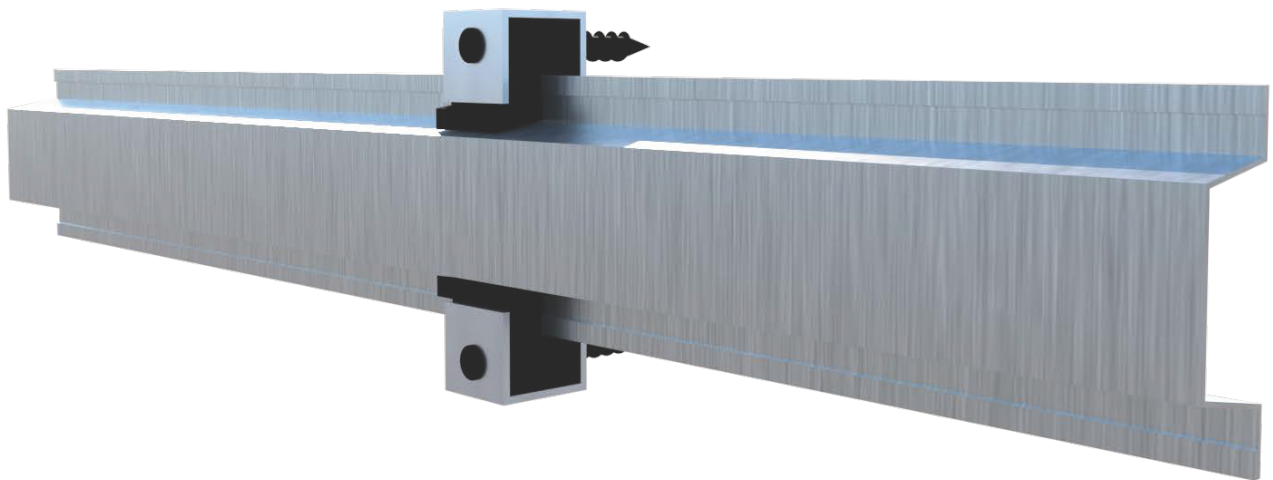
Product overview

Designed for superior noise reduction of both airborne and impact noise through walls and floor-ceiling assemblies.

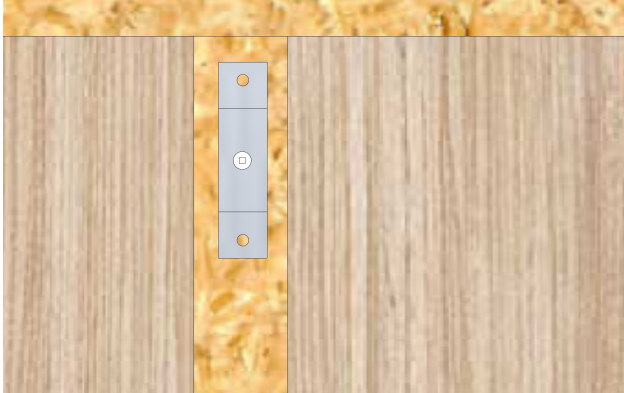
The **ProSilence clip** is a combination of a proprietary molded silica gel and steel mount that allows for decoupling both walls and ceiling assemblies.

The **ProSilence clip** is safe and easy to install using a custom made steel furring channel.

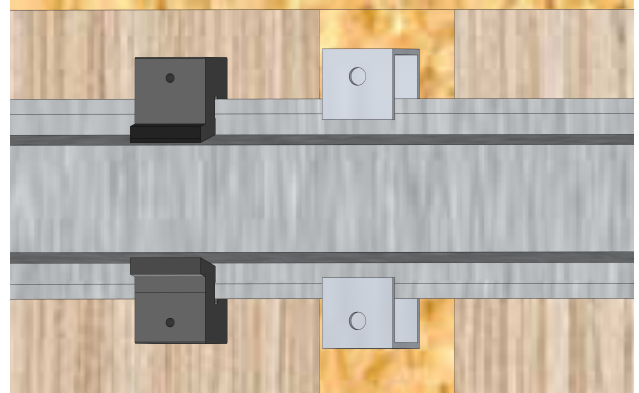
The stability has been tested by one of Europe's largest institutes, **SINTEF** with good margin for heavy installations both in the ceiling and on walls.



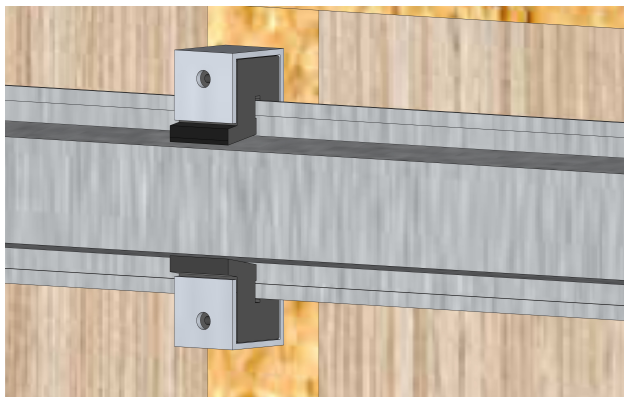
EASY AND SAFE INSTALLATION



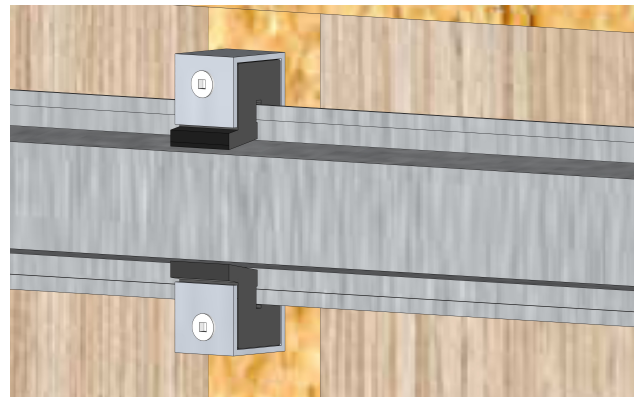
1/ Attach bracket with center screw



2/ Insert silica gel onto the stud



3/ Slide the silica gel into the bracket

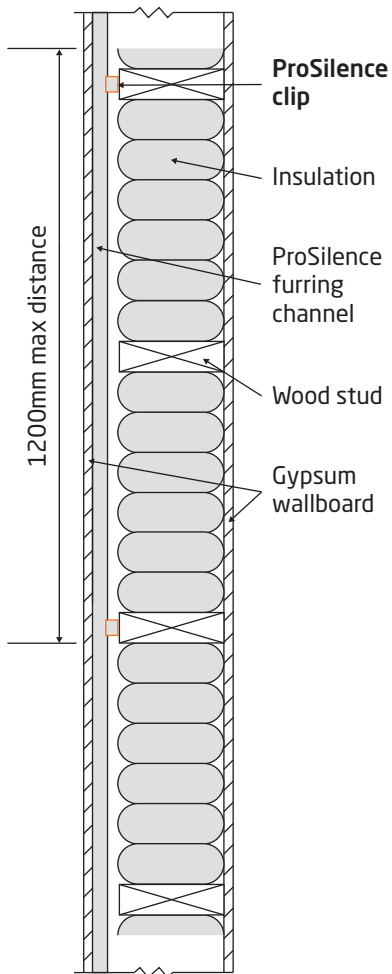


4/ Secure clip with two additional screws

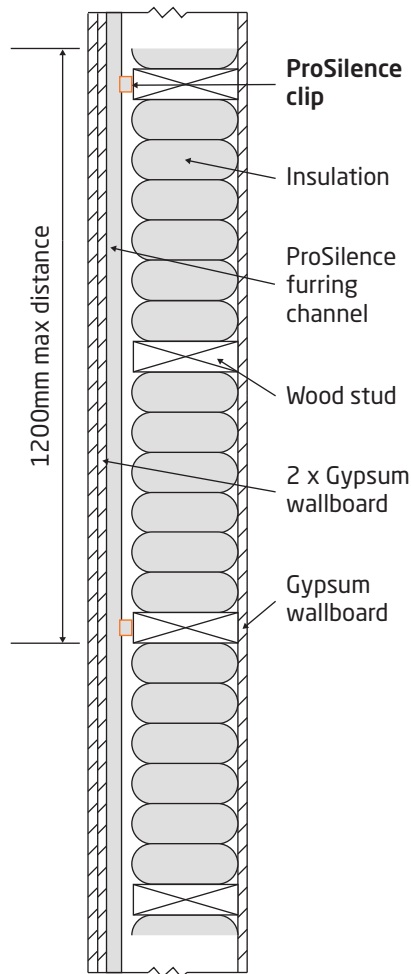
- * Use 60mm wooden screws with a diameter of 5mm
- * Secure the screws from 4/ so that the stud is tightened properly onto the steel stud
- * The steel portion of the clip should bend slightly when tightening the clip on 4/

PROSILENCE CLIP WALL INSTALLATION GUIDE

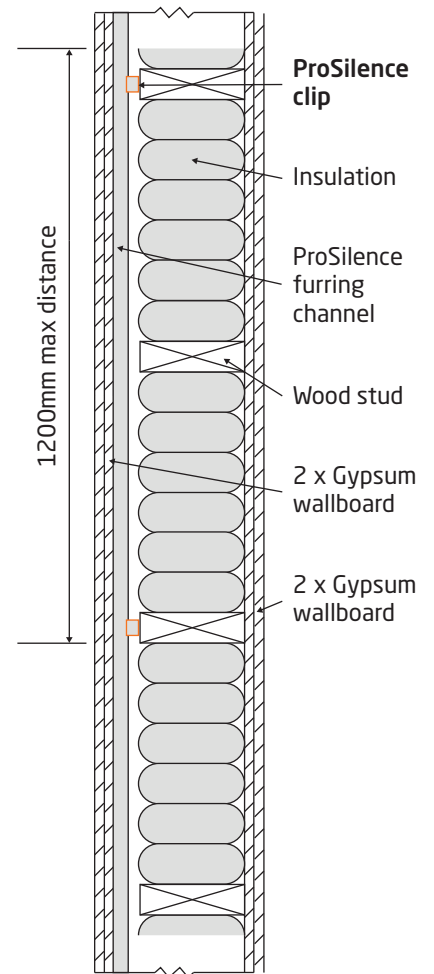
ProSilence clip with 2 layers



ProSilence clip with 3 layers



ProSilence clip with 4 layers

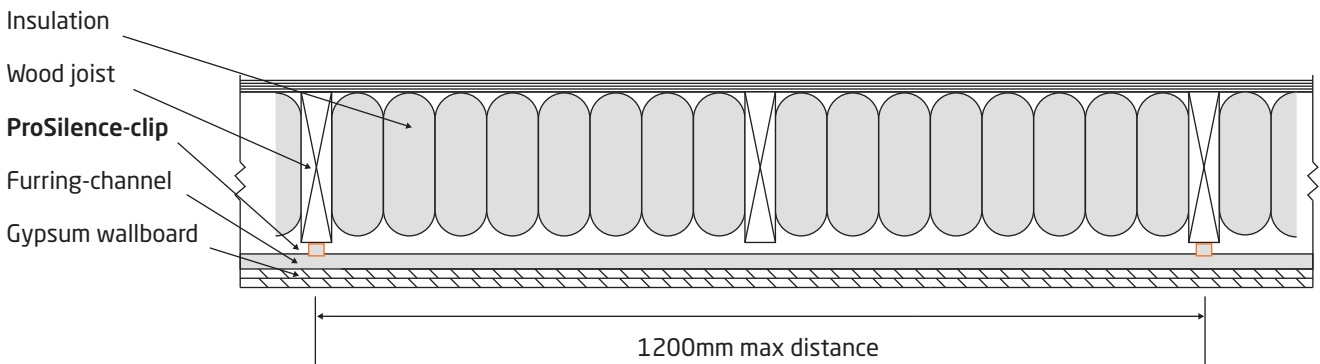


PROSILENCE CLIP CEILING INSTALLATION GUIDE

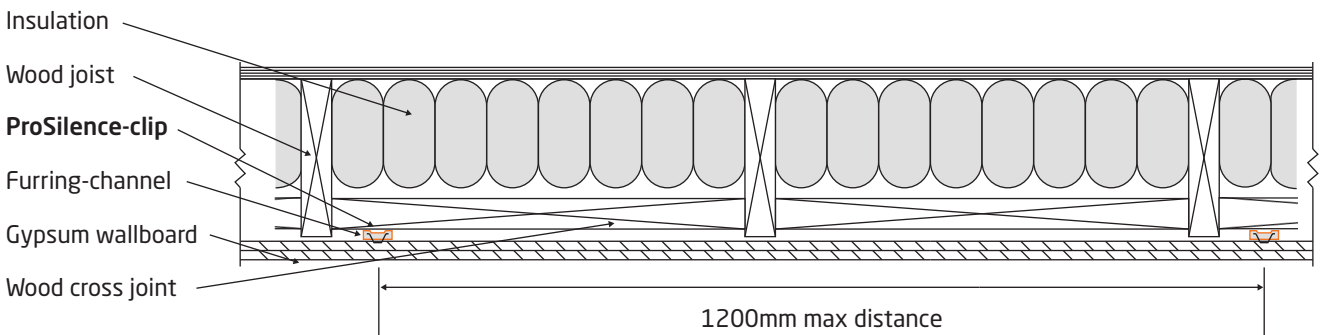
The **ProSilence clips** are very well suited for installation in the ceiling. In comparison to regular resilient channels (norwegian: lydbøyler), the added decoupling effect of the in-house developed silica gel based component is significant.

Installation can be done either directly in the ceiling joist, or you can maximize ceiling height by installing it into added cross beams. You can also use our new ceiling joist hangers (sold separately) instead of cross beams for a faster installation, still recessed into the ceiling.

Regular Installation



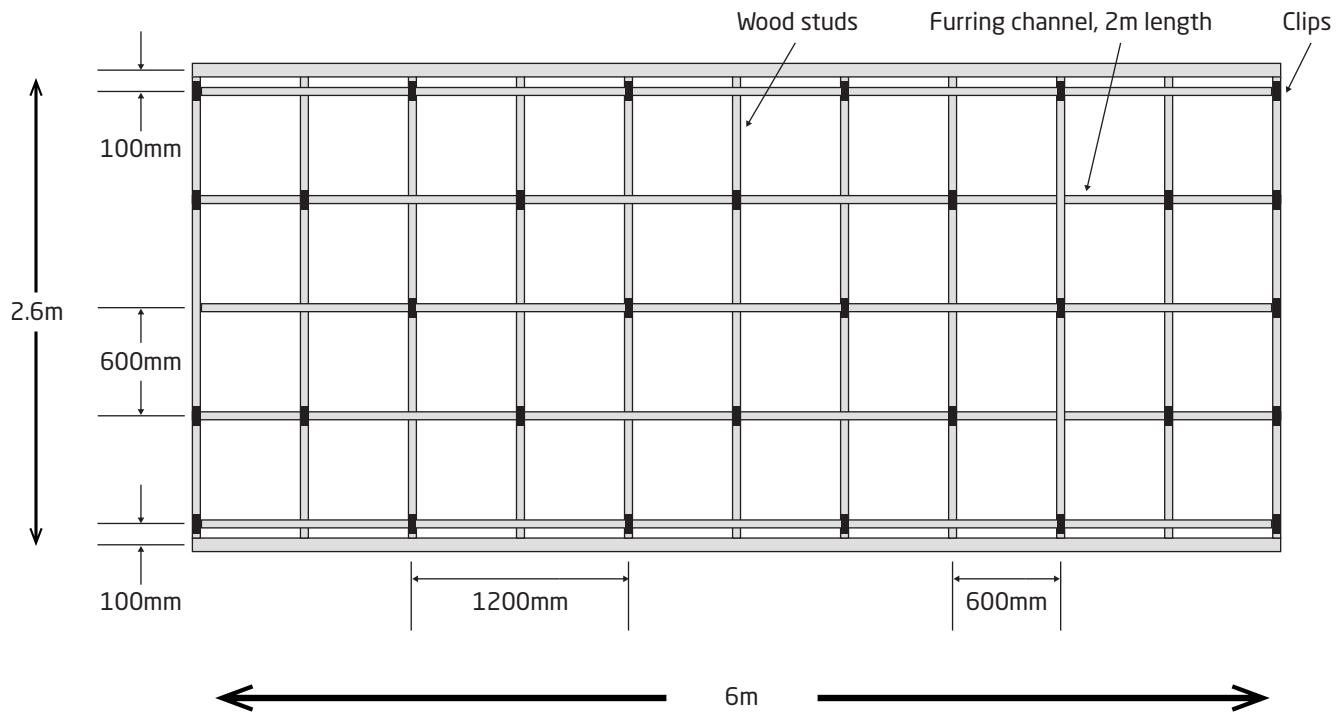
Maximize Ceiling Height



To maximise ceiling height, install the **ProSilence clips** on recessed wood cross beams.

Estimated usage of DreamScreen ProSilence clips for wall or ceiling

Area: 15.6m² 32 x clips 16 x 2m studs



Usage chart for clips, for studs requirement divide figure in two.
 For the first 1m² you'll need 4 clips, then add 2,2 clips for extra m²

m ²	1	2	3	4	5	6	7	8	9	10	11	12	13	14	15	16	17	18	19	20
Clips	4	6	8	11	13	15	17	19	22	24	26	28	30	33	35	37	39	41	44	46
m ²	21	22	23	24	25	26	27	28	29	30	31	32	33	34	35	36	37	38	39	40
Clips	48	50	53	55	57	59	61	64	66	68	70	72	75	77	79	81	83	86	88	90

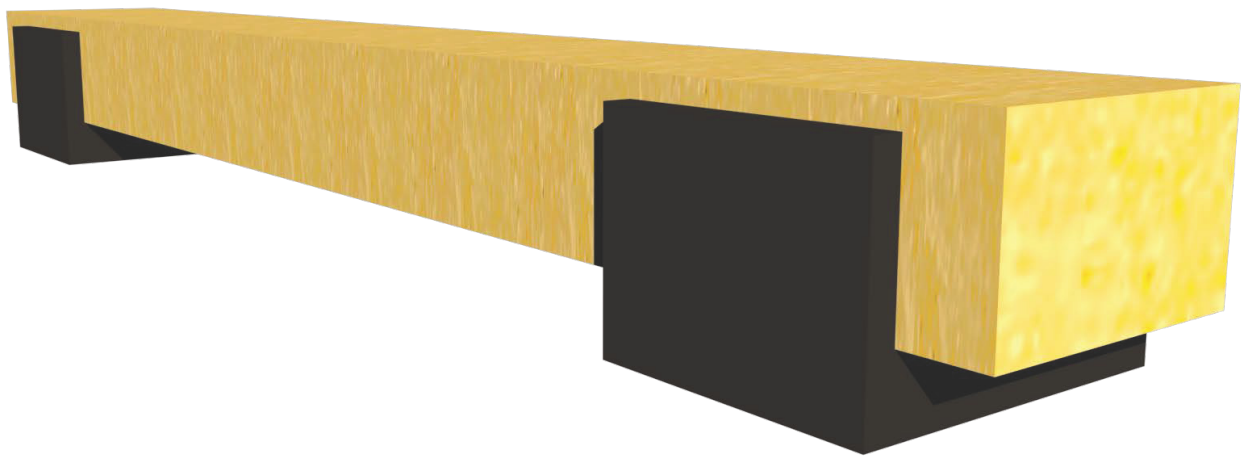
PROSILENCE U-BOATS

Noise reduction U-boats

Product overview

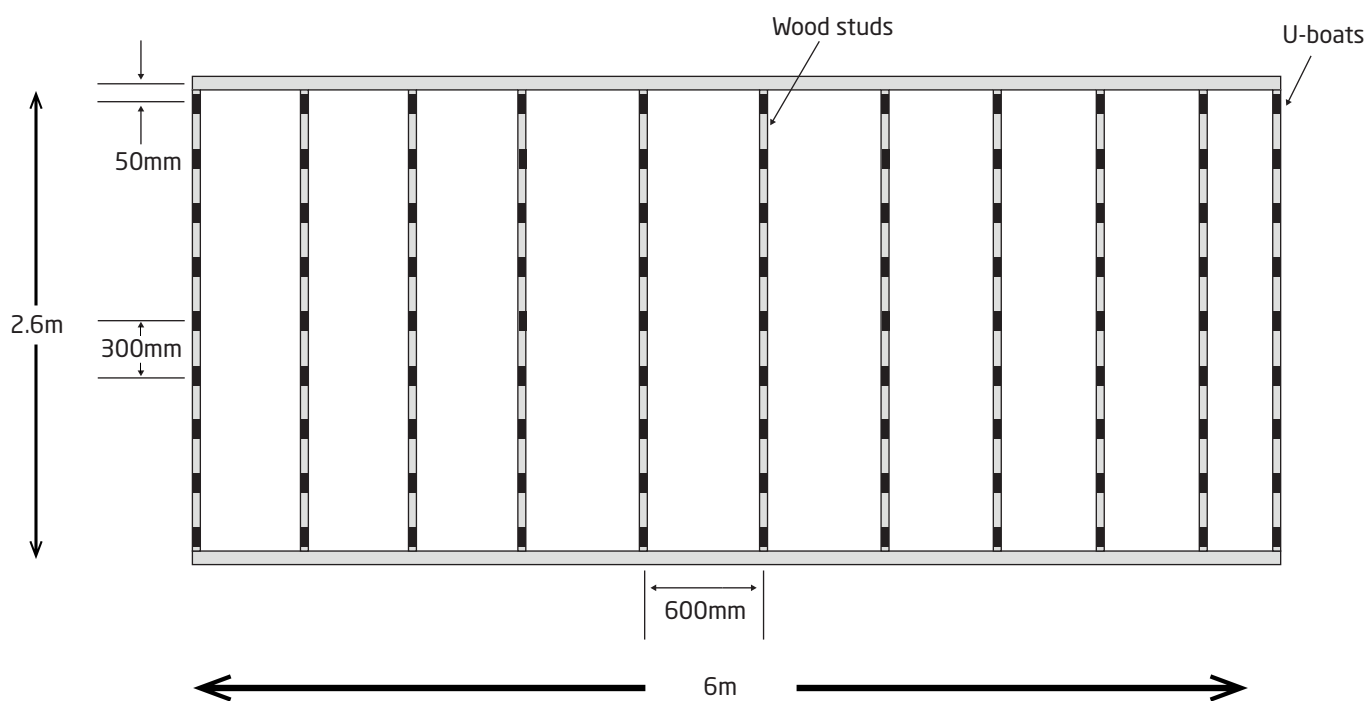
Designed for superior noise reduction of both airborne and impact noise through floor assemblies.

The **ProSilence U-boat** is made out of a proprietary molded silica gel material, and can be installed both directly on the floor or recessed in wooden beam based floors using our Floor Joist Bracket.



Estimated usage of DreamScreen ProSilence U-boat for floors

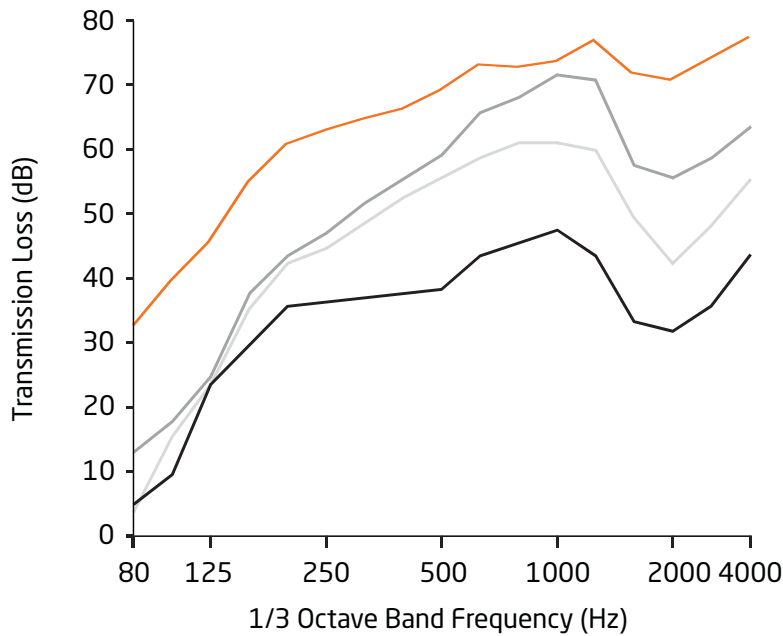
Area: 15.6m² 99 x U-boats



Usage chart for U-boats. You typically use 6-7 U-boats per square meter.

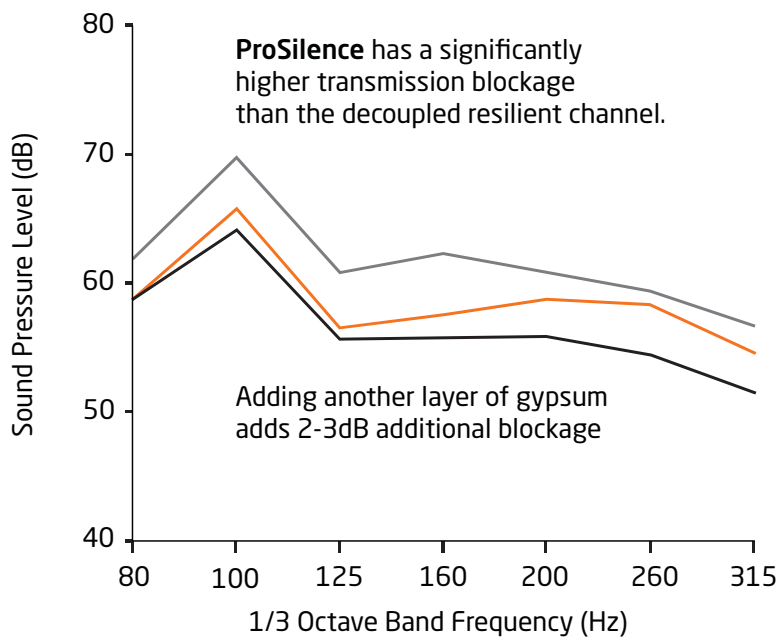
m ²	1	2	3	4	5	6	7	8	9	10	11	12	13	14	15	16	17	18	19	20
U-boats	7	14	21	28	35	42	49	56	63	70	77	84	91	98	105	112	119	126	133	140
m ²	21	22	23	24	25	26	27	28	29	30	32	33	34	35	36	37	38	39	40	
U-boats	147	154	161	168	175	182	189	196	203	210	217	224	231	238	245	252	259	266	273	

REDUCE THE NOISE LIKE THE PRO'S



LOW FREQUENCY PERFORMANCE (HIGHER IS BETTER)

- Double stud
- ProSilence clips
- Resilient channels
- Direct attach



LOW FREQUENCY PERFORMANCE (LOWER IS BETTER)

- Resilient channels
- ProSilence with single layer gypsum
- ProSilence with double layer gypsum

* In-house measurements, lab measurements pending